

# FRU List

This topic provides a list of field replaceable units for the Phaser 780 Color Printer.

Changes to Tektronix products are made to accommodate improved components as they become available. It is important when ordering parts to include the following information:

- Component's part number
- Product type or model number
- Serial number of the printer

**Serial numbering.** Particular fields in the serial number indicate the modification level of the printer, the date of its manufacture and the sequence number of the printer produced on that day. The serial number is coded as follows:

*JLxxDMY*

*J* indicates the headquarter country of the manufacturing company, Japan.

*L* indicates the modification level of the printer, ranging alpha-numerically from 0 to Z.

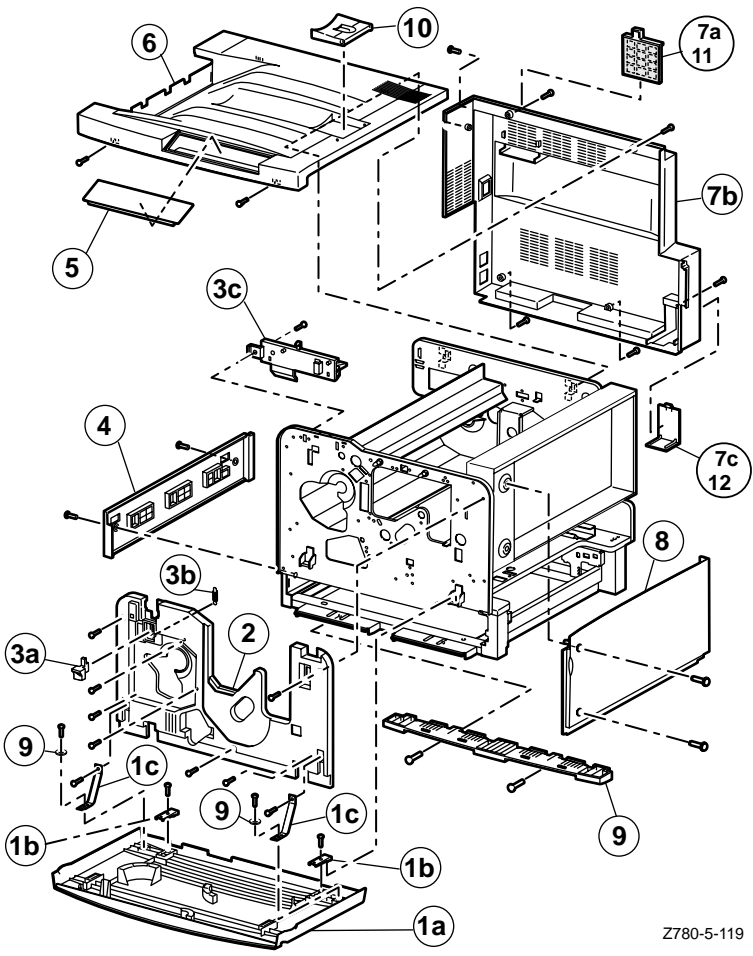
*xx* alpha-numerically indicates the sequence of the printer among the printers produce on that day of manufacture, ranging from 01 to ZZ representing

1 to 1296 (the letters I and O are not used).

*D* alpha-numerically indicates the day of manufacture, ranging from 1 to X representing 1 to 31 (the letters I and O are not used).

*M* alpha-numerically indicates the month of manufacture, ranging from 1 to C representing 1 to 12.

*Y* numerically indicates the last digit of the year of manufacture, ranging from 0 to 9.

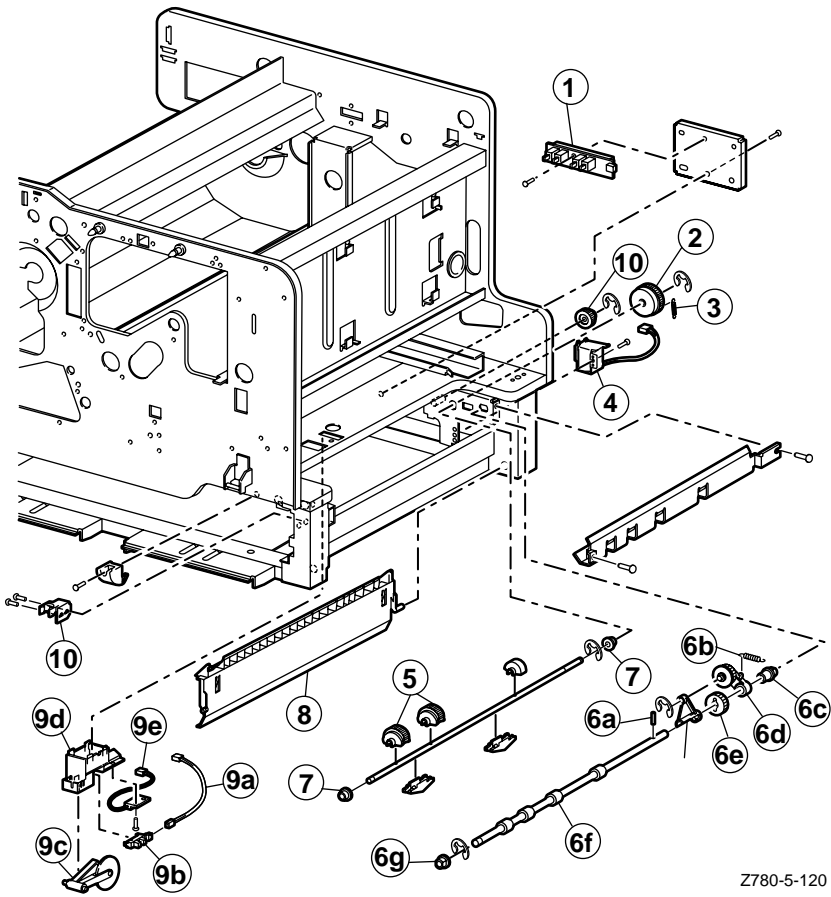


Z780-5-119

Printer cabinet FRUs

**Table 1 Printer cover FRUs**

Parts	Part number	Serial number		Qty	Name and description
		Effective	Discont'd		
1	118-9714-00				Front cover assembly kit
1a				1	Front cover
1b				2	Hinge plate
1c				2	Front cover strap Hardware
2	118-9733-00			1	Inner cover (includes 3a and 3b)
3	118-9715-00				Carousel latch kit
3a				1	Carousel latch lever
3b				1	Carousel latch spring
3c				1	Carousel latch assembly
4	118-9737-00			1	Left lower cover
5	118-9739-00			1	Front LCD panel
6	118-9734-00			1	Top cover and stopper
7	118-9716-00				Rear cover assembly kit
7a				1	Toner Filter
7b				1	Rear cover
7c	118-9864-00			1	Access cover
8	118-9738-00			1	Right cover with shield
9	118-9884-00			1	Front lower cover
10	118-9735-00			1	Stopper
11	118-9736-00			1	Toner filter
12	118-9864-00			1	Access cover

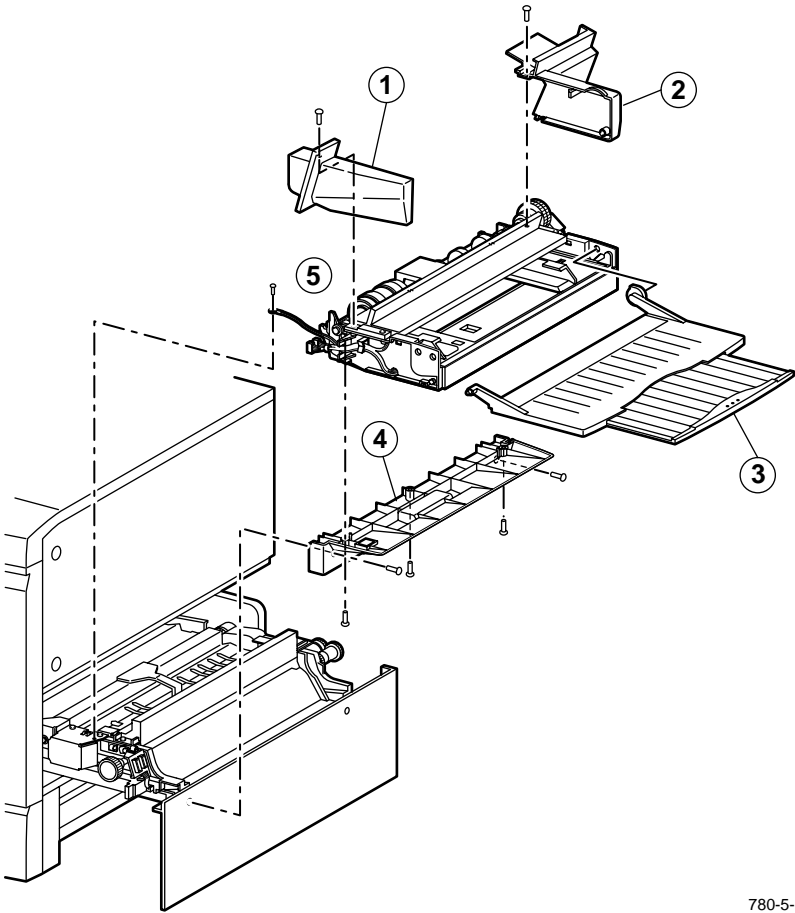


Z780-5-120

Paper feeder FRUs

**Table 2 Paper feeder FRUs**

Parts	Part number	Serial number		Qty	Name and description
		Effective	Discont'd		
1	118-9747-00			1	Size switch board
2	118-9742-00			1	Feed gear
3	118-9743-00			1	Feed spring
4	118-9744-00			1	Feed solenoid
5	118-9717-00			2	Paper pick rollers
6	118-9718-00				Turn roller assembly kit
6a				1	Turn gear pin
6b				1	Turn arm spring
6c				1	Turn rear bearing
6d				1	Turn assembly
6e				1	Turn gear
6f				1	Turn roller shaft
				1	Turn front bearing
7	118-9983-00			1	Feed roller bearing
8	118-9745-00			1	Turn chute
9	118-9719-00				Paper empty sensor assembly kit
9a				1	Empty sensor harness
9b				1	Empty sensor
9c				1	Sensor actuator
9d				1	Sensor bracket
9e				1	Low paper sensor
10	118-9746-00			1	Tray stopper

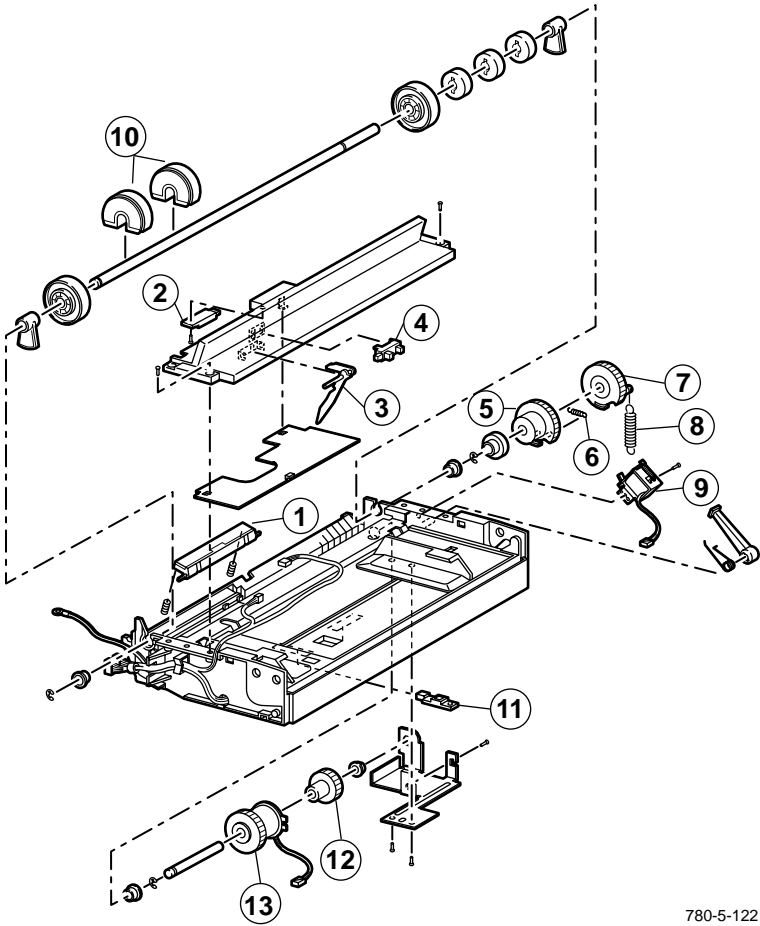


780-5-121

### Multi-purpose tray cover FRUs

**Table 3 Multi-purpose tray cover FRUs**

Parts	Part number	Serial number		Qty	Name and description
		Effective	Discont'd		
1	118-9748-00			1	Multi-purpose tray left (front) cover
2	118-9749-00			1	Multi-purpose tray right (rear) cover
3	118-9751-00			1	Multi-purpose tray/extender
4	118-9750-00			1	Multi-purpose tray holder
5	118-9720-00			1	Multi-purpose tray assembly (items 1 thru 4)



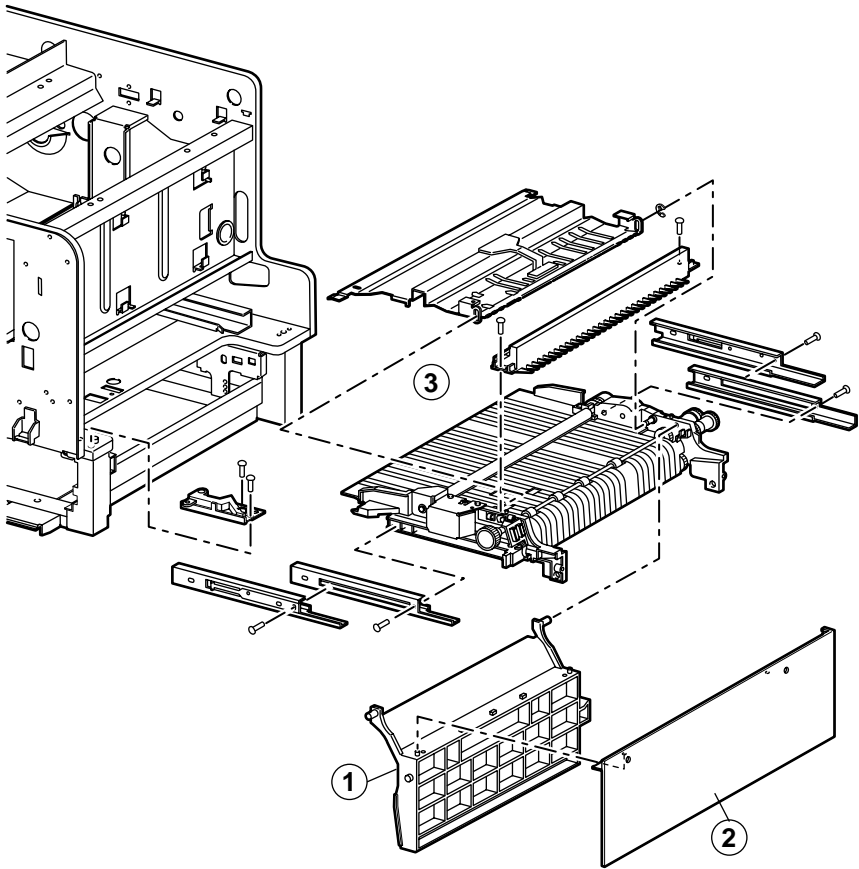
780-5-122

**Multi-purpose tray FRUs**



**Table 4 Multi-purpose tray FRUs**

Parts	Part number	Serial number		Qty	Name and description
		Effective	Discont'd		
1	118-9763-00			1	Multi-purpose tray pad kit
2	118-9752-00			1	Multi-purpose tray edge sensor
3	118-9754-00			1	Multi-purpose tray paper sensor actuator
4	118-9827-00			1	Multi-purpose tray paper sensor
5	118-9756-00			1	Multi-purpose tray pick-up cam gear
6	118-9757-00			1	Multi-purpose tray cam gear spring
7	118-9758-00			1	Multi-purpose tray pick-up gear
8	118-5759-00			1	Multi-purpose tray pick-up spring
9	118-5760-00			1	Multi-purpose tray pick-up solenoid
10	118-9755-00			2	Multi-purpose pick roller kit
11	118-9752-00			1	Multi-purpose tray long paper sensor
12	118-9762-00			1	Multi-purpose tray gear
13	118-9761-00			1	Multi-purpose tray clutch

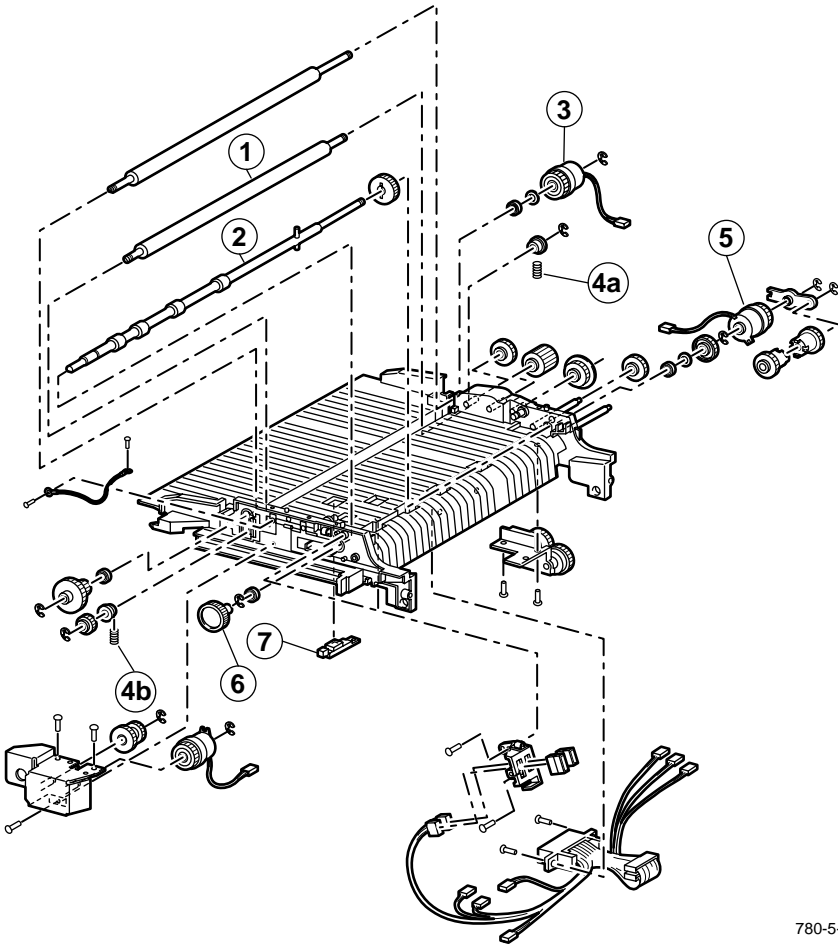


780-5-123

### Paper feeder cover FRUs

**Table 5 Paper feeder cover FRUs**

<b>Parts</b>	<b>Part number</b>	<b>Serial number</b>		<b>Qty</b>	<b>Name and description</b>
		<b>Effective</b>	<b>Discont'd</b>		
1	118-9766-00			1	Paper feeder turn chute
2	118-9765-00			1	Paper feeder cover
3	118-9865-00			1	paper feeder assembly

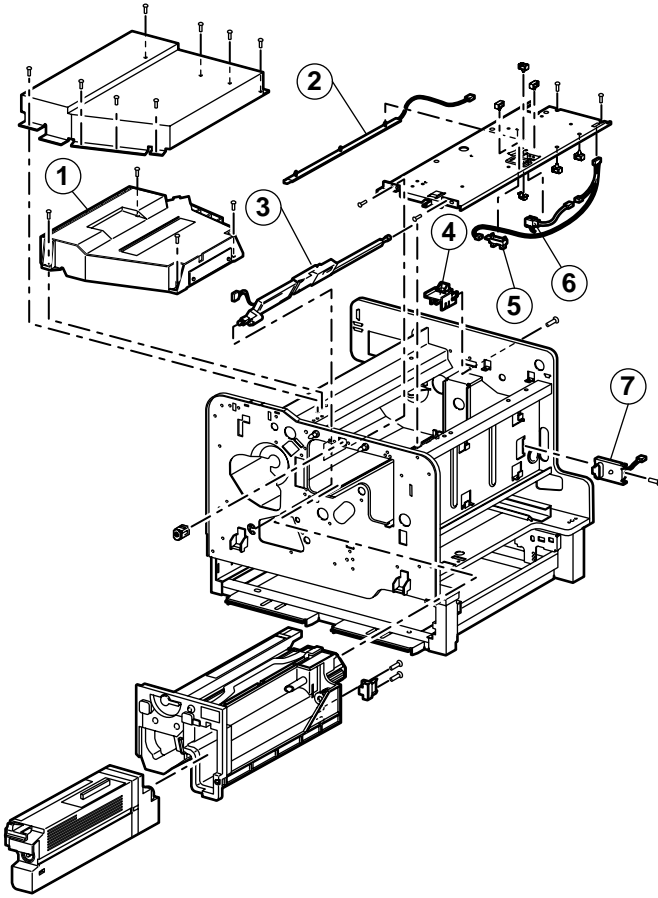


780-5-124

## Paper feeder FRUs

**Table 6 Paper feeder FRUs**

<b>Parts</b>	<b>Part number</b>	<b>Serial number</b>		<b>Qty</b>	<b>Name and description</b>
		<b>Effective</b>	<b>Discont'd</b>		
1	118-9771-00			1	Registration rubber roller
2	118-9768-00			1	Feeder pre-registration roller
3	118-9770-00			1	Registration clutch
4 4a 4b	118-9721-00			1	Registration spring kit Rear spring (black) Front spring (silver)
5	118-9769-00			1	Pre-registration clutch
6	118-9767-00			1	Pre-registration knob
7	118-9752-00			1	Registration sensor

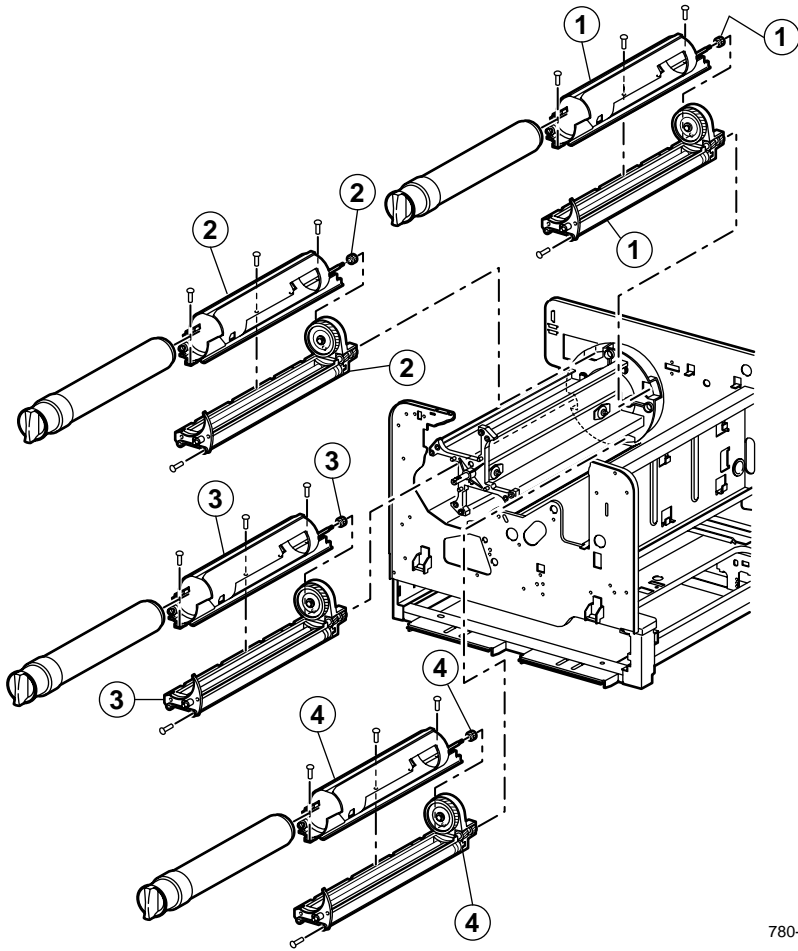


780-5-125

## Imaging FRUs

**Table 7 Imaging FRUs**

<b>Parts</b>	<b>Part number</b>	<b>Serial number</b>		<b>Qty</b>	<b>Name and description</b>
		<b>Effective</b>	<b>Discont'd</b>		
1	118-9774-00			1	Laser unit
2	118-9778-00			1	Erase lamp
3	118-9777-00			1	Auto-density calibration sensor assembly
4	118-9722-00			1	Bias charge roller connector kit with wiring harness
5	118-9779-00			1	Waste cartridge full sensor
6	118-9780-00			1	Waste cartridge installed sensor
7	118-9781-00			1	Imaging unit connector



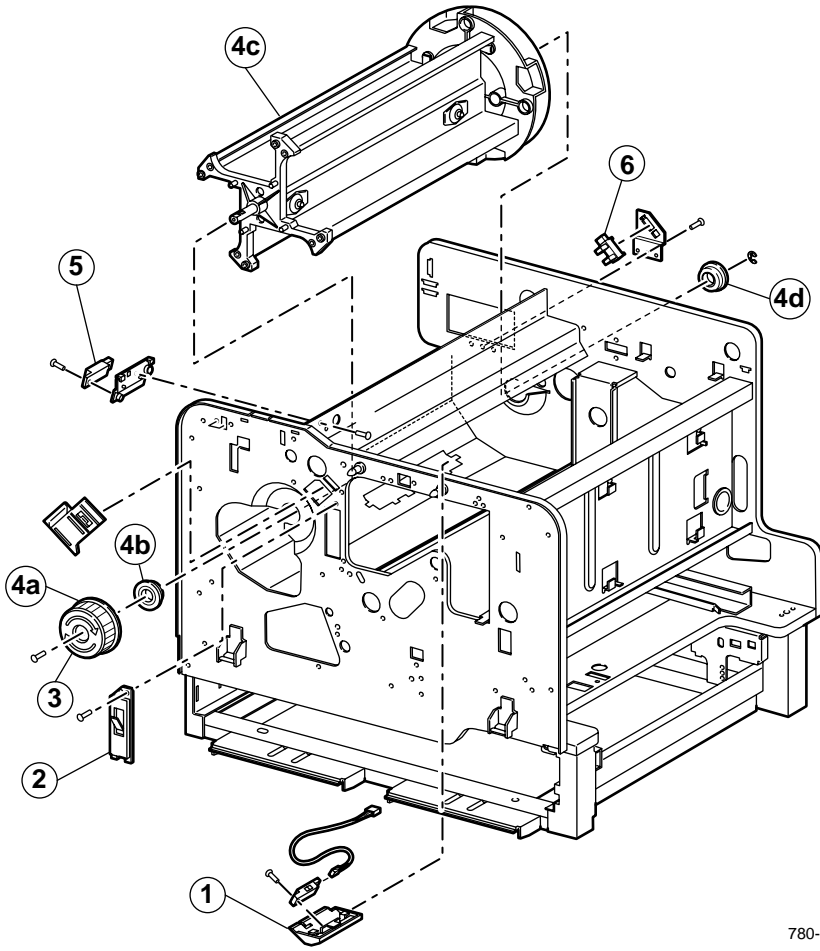
780-5-126

## Developer FRUs



**Table 8 Developer FRUs**

<b>Parts</b>	<b>Part number</b>	<b>Serial number</b>		<b>Qty</b>	<b>Name and description</b>
		<b>Effective</b>	<b>Discont'd</b>		
1	118-9782-00			1	Developer assembly, Black
2	118-9783-00			1	Developer assembly, Cyan
3	118-9784-00			1	Developer assembly, Magenta
4	118-9785-00			1	Developer assembly, Yellow
	116-0073-00				Developer shim kit (1 each of 4 sizes)

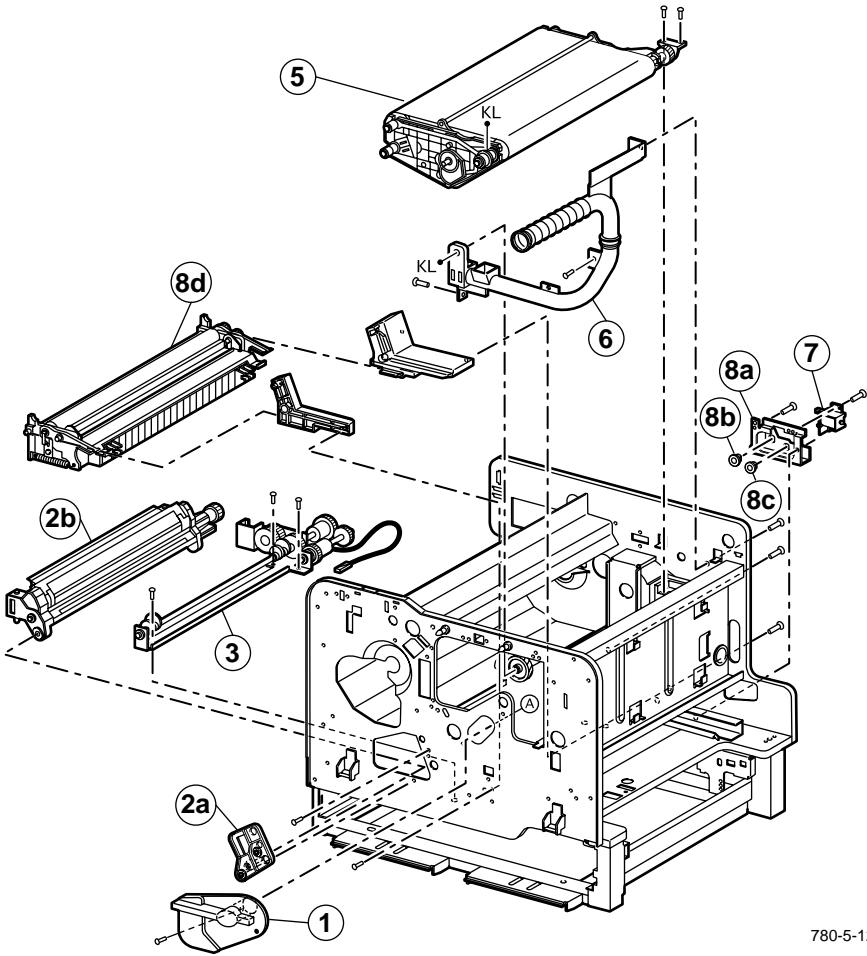


780-5-127

## Carousel FRUs

**Table 9 Carousel FRUs**

<b>Parts</b>	<b>Part number</b>	<b>Serial number</b>		<b>Qty</b>	<b>Name and description</b>
		<b>Effective</b>	<b>Discont'd</b>		
1	118-9787-00			1	Toner cartridge presence sensor
2	118-9724-00			1	Developer contact assembly
3	118-9820-00			1	Carousel knob
4	118-9723-00				Carousel assembly kit
4a				1	Carousel knob
4b				1	Carousel front bearing
4c				1	Carousel frame
4d				1	Carousel rear bearing
5	118-9788-00			1	New toner cartridge sensor
6	118-9786-00			1	Carousel home sensor

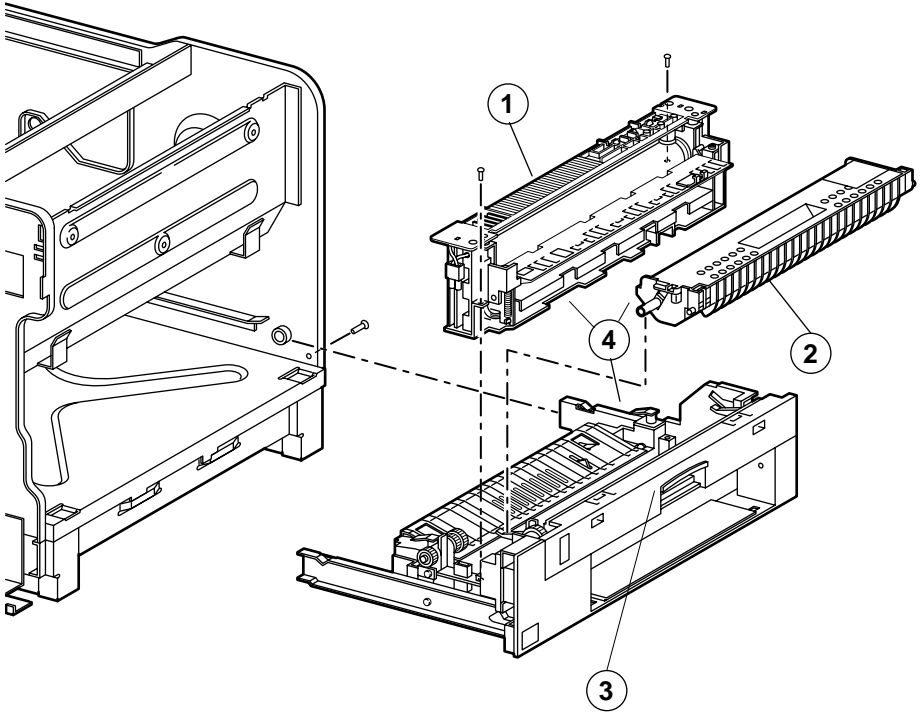


780-5-128

**Accumulator belt assembly FRUs**

**Table 10 Accumulator belt assembly FRUs**

Parts	Part number	Serial number		Qty	Name and description
		Effective	Discont'd		
1	118-9790-00			1	Tension lever
2	118-9726-00			1	Belt cleaning assembly kit
2a				1	Cleaner support assembly
2b				1	Belt cleaner
3	118-9791-00			1	Second bias transfer roller cam assembly
5	118-9789-00			1	Accumulator belt assembly
6	118-9793-00			1	Waste auger assembly
7	118-9792-00			1	Transfer roller cam solenoid
8	118-9725-00				Second bias transfer roller assembly kit
8a				1	Second bias transfer bracket
8b				1	Second bias transfer bearing-6
8c				1	Second bias transfer bearing-4
8d				1	Second bias roller transfer assembly

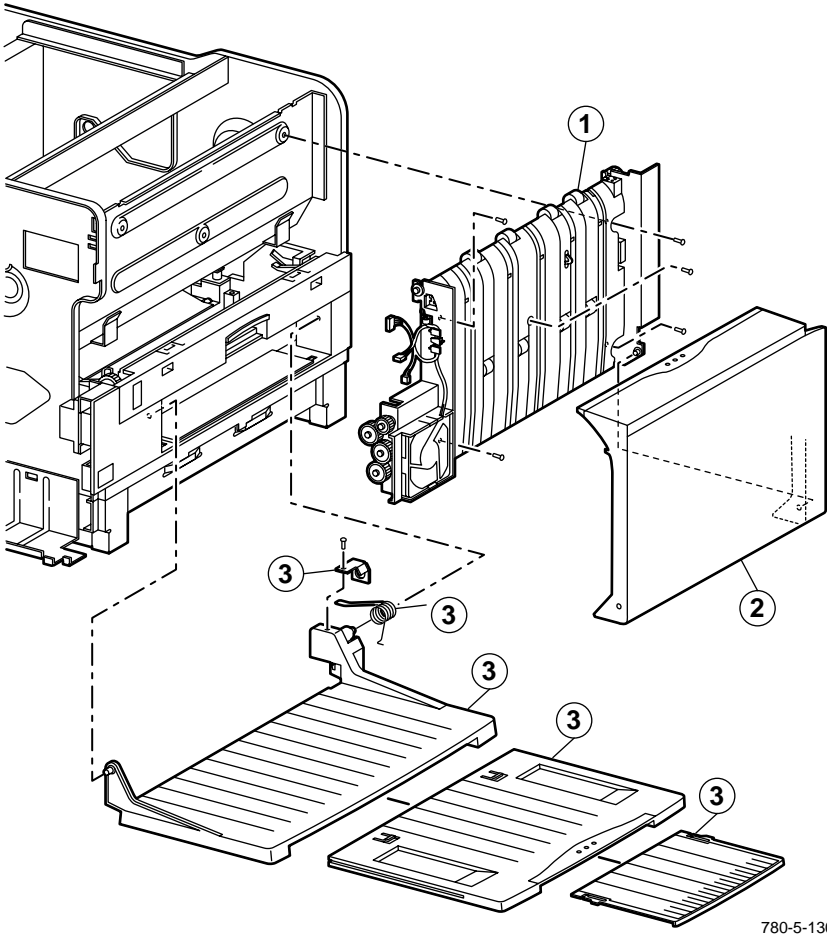


780-5-129

## Fuser assembly FRUs

**Table 11 Fuser assembly FRUs**

<b>Parts</b>	<b>Part number</b>	<b>Serial number</b>		<b>Qty</b>	<b>Name and description</b>
		<b>Effective</b>	<b>Discont'd</b>		
1	118-9886-01			1	Fuser, 110 VAC
	118-9887-01			1	Fuser, 220 VAC
2	016-1866-00			1	Fuser roll cartridge
3	118-9986-00			1	Fuser tray release lever
4	118-9727-00			1	Fuser assembly 110V
	118-9728-00				Fuser assembly 220V



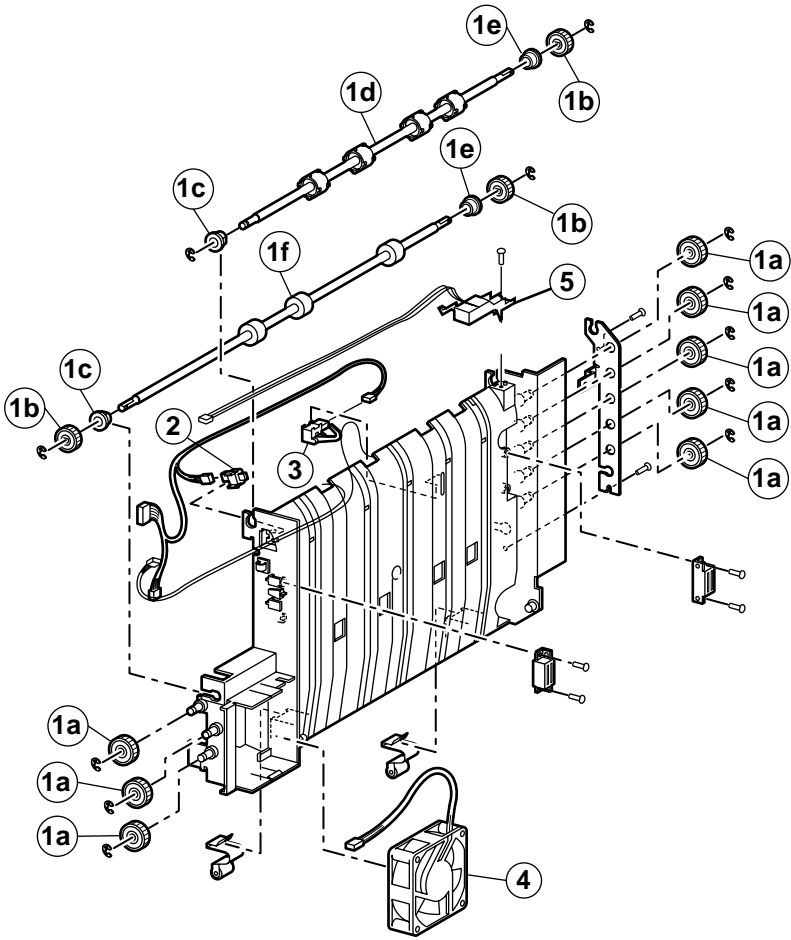
780-5-130

### Paper exit FRUs



**Table 12 Paper exit FRUs**

<b>Parts</b>	<b>Part number</b>	<b>Serial number</b>		<b>Qty</b>	<b>Name and description</b>
		<b>Effective</b>	<b>Discont'd</b>		
1	118-9798-00			1	Lower exit assembly
2	118-9799-00			1	Upper exit assembly
3	118-9800-00			1	Exit tray assembly

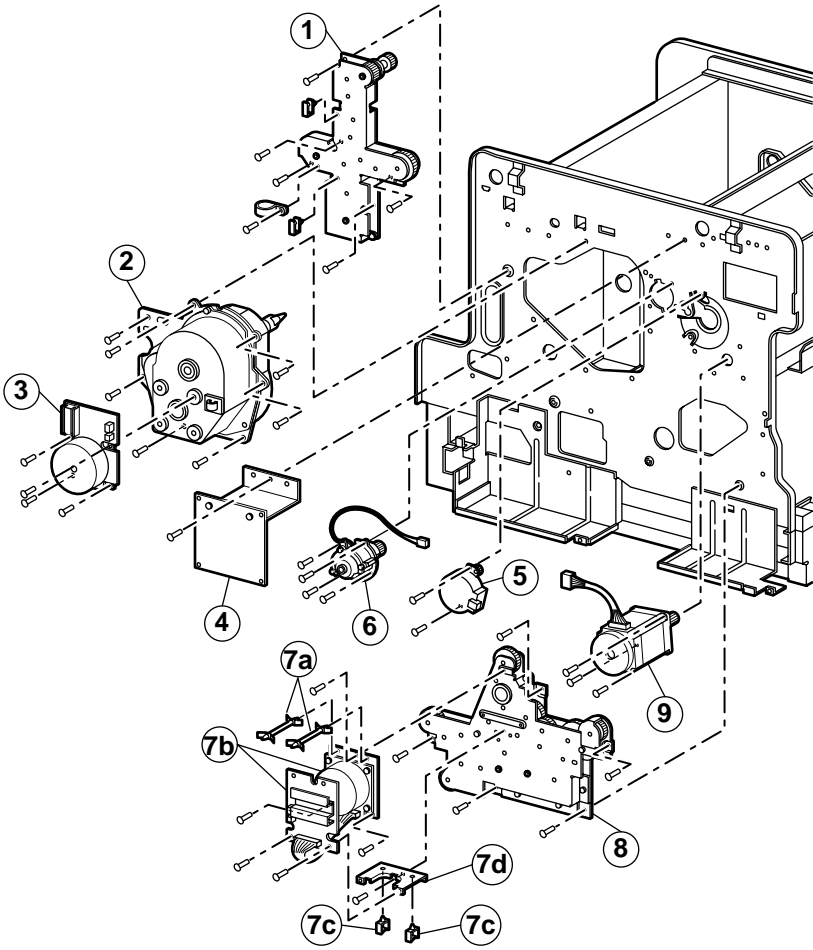


780-5-131

Paper exit FRUs

**Table 13 Paper exit FRUs**

<b>Parts</b>	<b>Part number</b>	<b>Serial number</b>		<b>Qty</b>	<b>Name and description</b>
		<b>Effective</b>	<b>Discont'd</b>		
1 1a 1b 1c 1d 1e 1f	118-9729-00			1	Exit upper roller kit Exit idler gear Exit spur gear Exit rear bearing Exit-3 roller Exit front bearing Exit-2 roller
2	118-9802-00			1	Exit door switch
3	118-9801-00			1	Media exit sensor with flag
4	118-9803-00			1	Fuser fan
5	116-0050-00			1	Full stack sensor



780-5-132

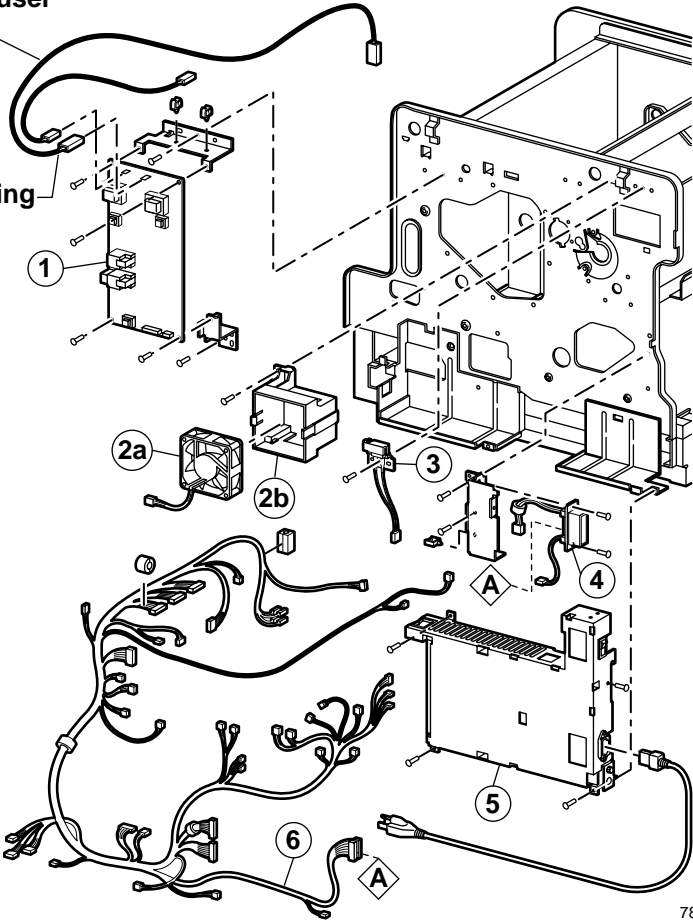
## Drive FRUs

**Table 14 Drive FRUs**

Parts	Part number	Serial number		Qty	Name and description
		Effective	Discont'd		
1	118-9804-00			1	Paper feed drive assembly
2	118-9806-00			1	Process drive assembly
3					Process motor (part of process drive assembly)
4	118-9809-00			1	Carousel motor board
5	118-9810-00			1	Toner/developer dispense motor
6	118-9811-00			1	Developer clutch
7 7a 7b 7c 7d	118-9730-00				Paper feed motor assembly kit Paper feed motor support Paper feed motor Harness clamp Paper feed bracket
8	118-9805-00				Fuser drive assembly
9	118-9808-00				Carousel motor

Part of Carousel  
FRU Part 2

Part of Imaging  
FRU Part 4

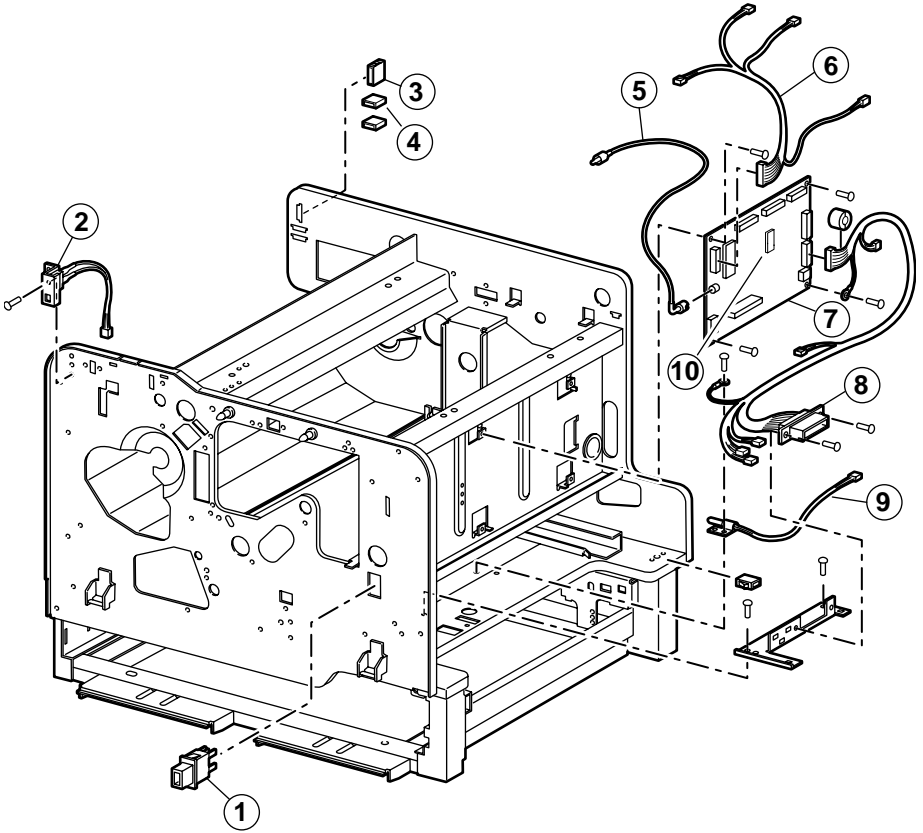


780-5-133

Electronic (rear) FRUs

**Table 15 Electronic (rear) FRUs**

<b>Parts</b>	<b>Part number</b>	<b>Serial number</b>		<b>Qty</b>	<b>Name and description</b>
		<b>Effective</b>	<b>Discont'd</b>		
1	118-9873-00			1	High voltage power supply board
2	118-9731-00			1	Developer fan kit
2a				1	Developer fan
2b				1	Developer fan duct
3	118-9816-00			1	Top cover switch
4	118-9817-00			1	Fuser connector, Main
5	119-5871-00			1	Low voltage power supply, 110 VAC
	119-5872-00			1	Low voltage power supply, 220 VAC
6	118-9819-00				Main harness, DC



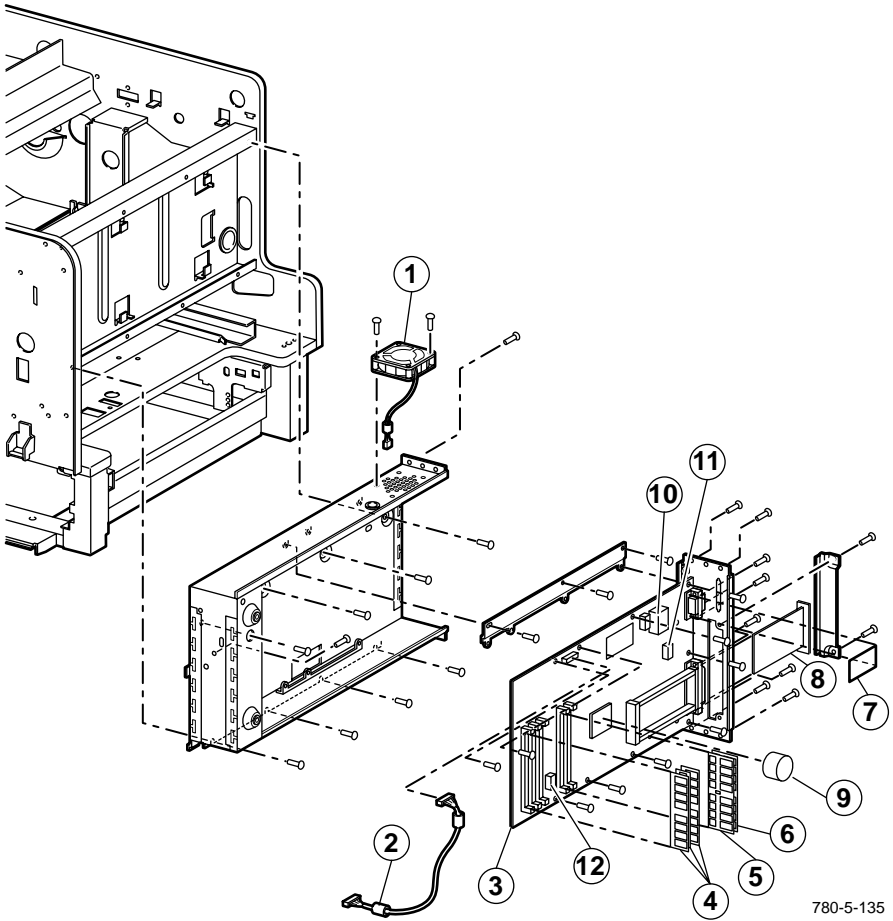
780-5-134

## Electronics (front) FRUs



**Table 16 Electronic (front) FRUs**

<b>Parts</b>	<b>Part number</b>	<b>Serial number</b>		<b>Qty</b>	<b>Name and description</b>
		<b>Effective</b>	<b>Discont'd</b>		
1	118-9822-00			1	Front cover switch, right
2	118-9821-00			1	Front cover switch, left
3	118-9815-00			1	Exit connector-8
4	118-9814-00			1	Exit connector -4
5	118-9824-00			1	Video harness
6	118-9825-00			1	Laser unit harness
7	118-9796-00			1	Engine control board
8	118-9823-00			1	Paper feeder harness
9	118-9863-00			1	Environmental sensor
10	163-1283-00			1	Print engine NVRAM chip

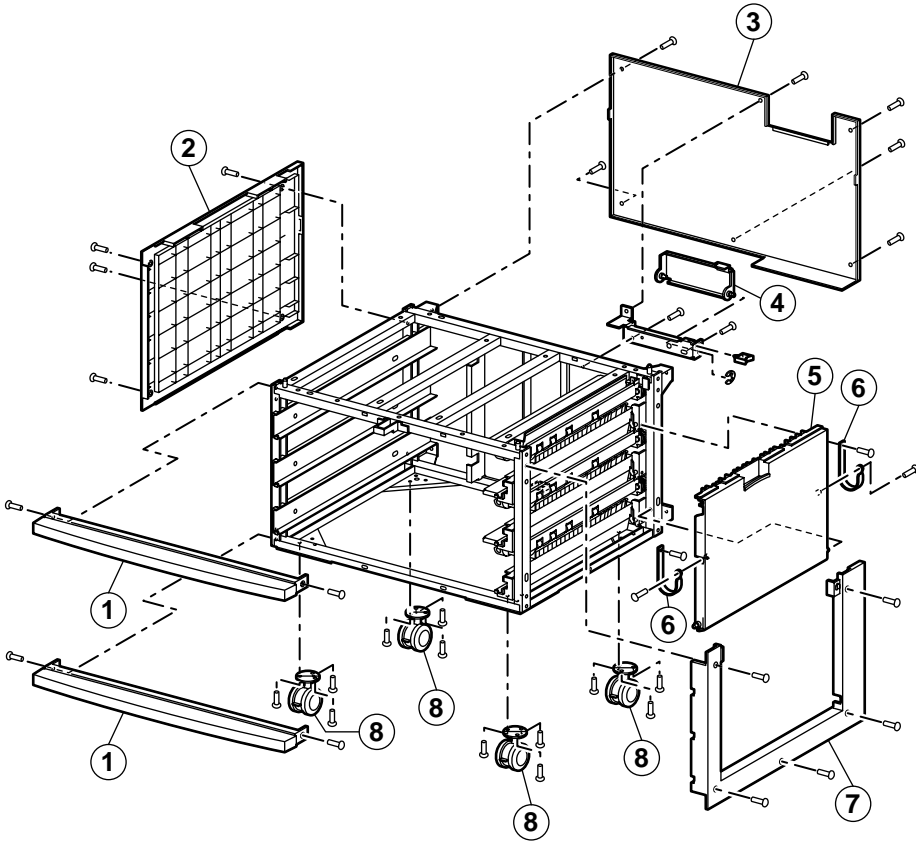


780-5-135

**Image processor FRUs**

**Table 17 Image processor FRUs**

Parts	Part number	Serial number		Qty	Name and description
		Effective	Discont'd		
1	118-9826-00			1	Image processor fan
2	118-9885-00			1	Front panel harness
3	671-4303-80			1	Image processor board
4	156-4759-00 156-4765-00 156-4780-00			1	RAM DIMM, 32 Mbytes RAM DIMM, 64 Mbyte RAM DIMM, 128 Mbyte
5	671-4759-00			1	Font ROM SIMM, Kanji
	671-4687-00			1	Font ROM SIMM, Simplified Chinese
	671-4688-00			1	Font ROM SIMM, Traditional Chinese
	671-4686-00			1	Font ROM SIMM, Korean
6	671-4672-51				PostScript Code SIMM, Base (v2.86)
	671-4673-51				PostScript Code SIMM, Graphics and Plus (v2.86)
7	671-4306-50				SCSI riser board
8	671-3994-00			1	Ethernet 100baseT Network card
	671-3932-00			1	TokenRing card
	671-4034-00			1	LocalTalk card
	386-6998-00			1	Blank panel, net card
	213-1090-00			2	Screws, 4-40 x .312
9	119-6032-00			1	CPU Fan
10	650-3886-01			1	Dallas Real Time Clock
11	156-4768-00			1	NVRAM
12	163-1148-00			1	Boot ROM/Product ID

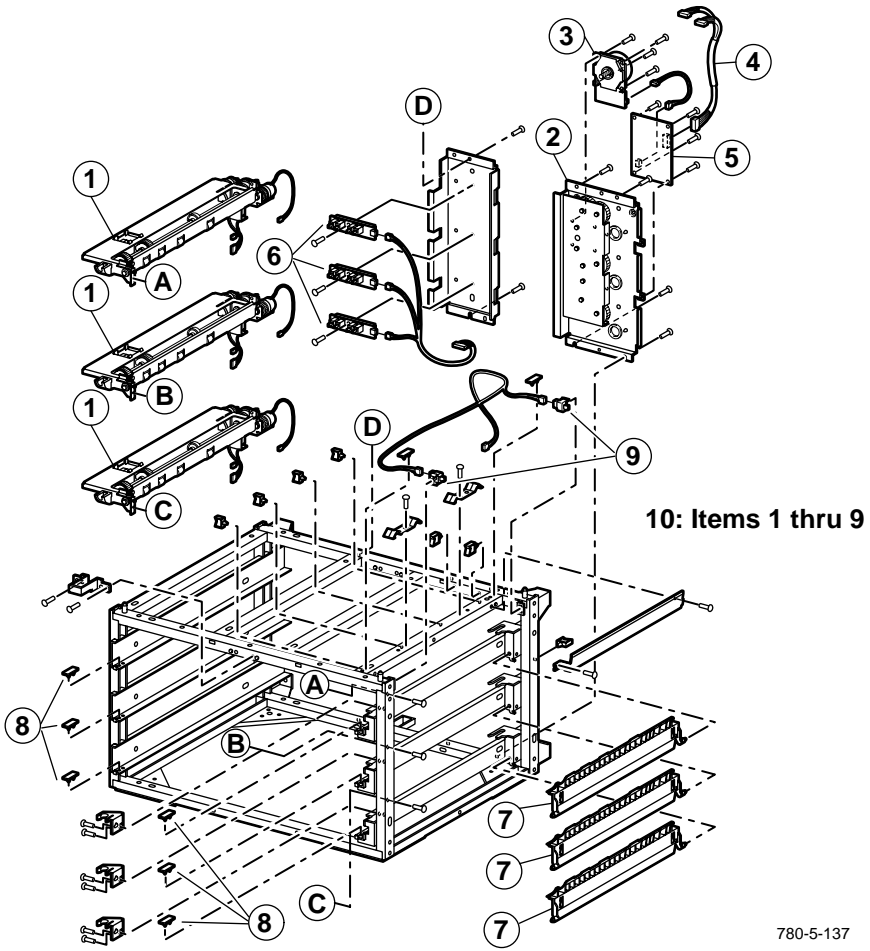


780-5-136

### Optional lower feeder cabinet FRUs

**Table 18 Optional lower feeder cabinet FRUs**

<b>Parts</b>	<b>Part number</b>	<b>Serial number</b>		<b>Qty</b>	<b>Name and description</b>
		<b>Effective</b>	<b>Discont'd</b>		
1	118-9923-00			1	Lower feeder front cover
2	118-9926-00			1	Lower feeder left cover
3	118-9924-00			1	Lower feeder rear cover
4	118-9925-00			1	Lower feeder harness cover
5	118-9928-00			1	Lower feeder chute assembly
6	118-9929-00			1	Lower feeder chute support
7	118-9927-00			1	Lower feeder right cover
8	118-9930-00			1	Lower feeder caster



780-5-137

Optional Feeder FRUs

**Table 19 Optional feeder FRUs**

<b>Parts</b>	<b>Part number</b>	<b>Serial number</b>		<b>Qty</b>	<b>Name and description</b>
		<b>Effective</b>	<b>Discont'd</b>		
1	118-9931-00			1	Lower feeder assembly
2	118-9934-00			1	Lower feeder gear assembly
3	118-9933-00			1	Lower feeder motor
4	118-9936-00			1	Lower feeder interface harness
5	118-9935-00			1	Lower feeder circuit board
6	118-9747-00				Lower feeder paper size sensor
7	118-9932-00			1	Lower feeder turn-in chute
8	118-9985-00			1	Tray spacer
9	118-9802-00			1	Lower feeder chute switch
10	436-0367-00			1	Lower tray assembly (optional feeder)

## Supplies and accessories

**Table 20** Supplies and accessories

Parts	Part number	Serial number		Qty	Name and description
		Effective	Discont'd		
	016-1678-00				Toner Cartridge, Black
	016-1679-00				Toner Cartridge, Cyan
	016-1680-00				Toner Cartridge, Magenta
	016-1681-00				Toner Cartridge, Yellow
	016-1864-00				Imaging Unit Cartridge
	016-1865-00				Imaging Unit Waste Cartridge
	016-1866-00				Standard Fuser Roll Cartridge
	016-1717-00				High Duty Fuser Roll Cartridge
	016-1369-00				A4 Size Paper, 500 Sheets
	016-1697-00				Tab Plus Glossy, 100#, 50 Sheets
	016-1699-00				Plain Paper,24#,b,500 Sheets
	016-1700-00				Plain Paper,24#,a3,500 Sheets
	016-1701-00				Transparency, A, 50 Sheets
	016-1702-00				Transparency, A4, 50 Sheets
	016-1703-00				Paper, Image Transfer, B, 100 Sheets
	016-1704-00				Paper, Glossy, A, 100#, 100 Sheets
	016-1705-00				Paper, Glossy, A4, 100#, 100 Sheets
	016-1706-00				Transparency, Tab Extra, 50 Sheets
	016-1709-00				Paper, Tab Plus, 24#, 500 Sheets
	016-1718-00				Paper, Glossy Coated, B, 100 #, 50 sheets
	063-3039-00				CD, ROM, English
	063-3039-10				CD, ROM, French
	063-3039-20				CD, ROM, Italian
	063-3039-30				CD, ROM, German
	063-3039-40				CD, ROM, Spanish
	063-3039-70				CD, ROM, Simplified Chinese
	063-3039-80				CD, ROM, Traditional Chinese
	063-3039-90				CD, ROM, Korean
	063-3040-00				User Guide, English
	063-3040-10				User Guide, French



**Table 20 Supplies and accessories**

Parts	Part number	Serial number		Qty	Name and description
		Effective	Discont'd		
	063-3040-20				User Guide, Italian
	063-3040-30				User Guide, German
	063-3040-40				User Guide, Spanish
	063-3040-05				User Guide, Russian
	063-3041-00				Quick Reference Guide, Service
	063-3094-00				Setup Guide, English
	063-3094-10				Setup Guide, French
	063-3094-20				Setup Guide, Italian
	063-3094-30				Setup Guide, German
	063-3094-40				Setup Guide, Spanish
	063-3094-05				Setup Guide, Russian
	063-3116-00				Phasershare Setup Guide
	063-3116-10				Phasershare Setup Guide, French
	063-3116-20				Phasershare Setup Guide, Italian
	063-3116-30				Phasershare Setup Guide, German
	063-3116-40				Phasershare Setup Guide, Spanish
	063-3126-00				CD, Adobe Type Manager
	063-3181-00				CD, Phaser Match, Color Match
	070-9925-00				Advanced Features & Troubleshooting, English
	161-0066-00				Power Cord, 115v
	161-0066-09				Power Cord, 220v
	161-0066-10				Power Cord, U.K.
	161-0066-11				Power Cord, Aust.
	161-0154-00				Power Cord, Swiss
	161-0240-00				Power Cord, Danish
	436-0366-00				Universal Size Paper Tray (Std)
	436-0368-00				Labels & Transparency Tray
	013-0297-00				Cable, Adapter, SCSI 1 TO SCSI 2
	118-9921-00				Hardware Kit
	116-0073-00				Developer shim kit (4 sets of 3 sizes)
	003-0619-00				I.C. Extractor, SCSI Board removal tool

**Table 20 Supplies and accessories**

Parts	Part number	Serial number		Qty	Name and description
		Effective	Discont'd		
	003-1633-00				IC PLCC Extractor Tool
	065-0574-00				Repackaging Kit
	650-3572-01				Rebanding Kit
	650-3971-00				Recycle kit for developer assemblies, California only
	003-1496-00 003-1497-00				Vacuum cleaner, 110/115 VAC Vacuum cleaner, 220/240 VAC
	003-1498-00				Vacuum cleaner filter, Type 2, 3M
	004-4845-00				Shipping Box
	003-0602-00				#1 Pozidrive screwdriver tip
	006-7971-00				Imaging unit lightshield